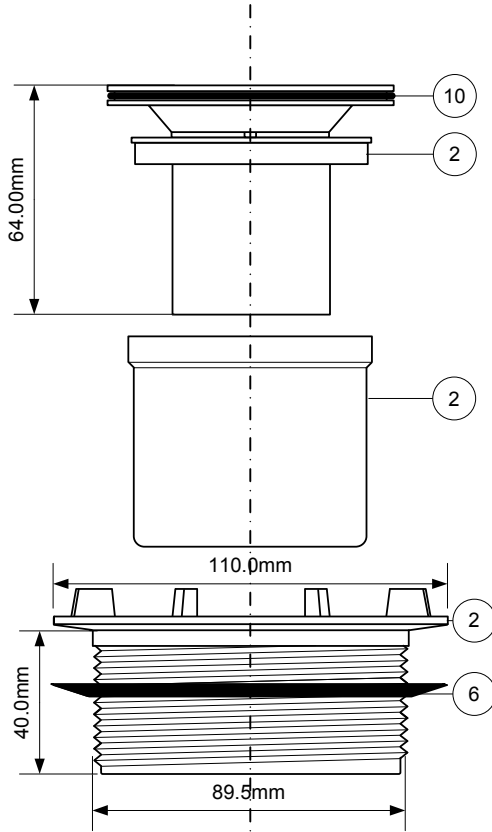


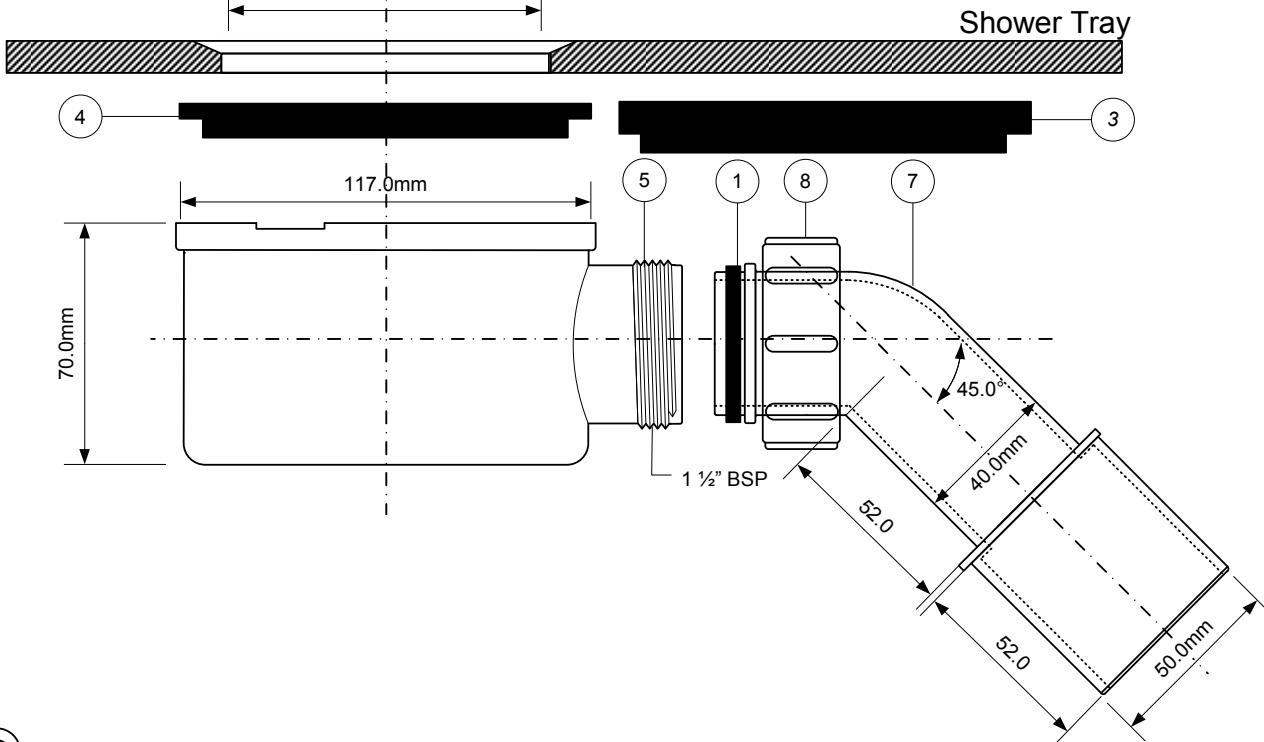
Code:

CD-HC2734L-NG-PB

STW 70mmHIGH 34L 50mmSEAL NO TOP



Part No.	Code	Material
1	RW2	Nitrile
2	STW9034WASTEBODY	Polypropylene
(3-Parts made in Same Tool)		
3	STW90-RW-12.5MM	TPE
4	STW90-RW-9.5MM	TPE
5	STW9034TRAPBODY	Polypropylene
6	STW90WASTESEAL	TPE
7	STWBENDBODY-50PL	Polypropylene
8	T8A	Polypropylene
9	P-BS245X410HMC	(Plastic Bag – Not Shown)
10	P-OR-70X2MM	Nitrile



© McALPINE
25/01/2011

Drawing verified
correct as of:

25/01/2011
RM

DRAWN BY

RM

REVISED

SCALE

1: 2

FILENAME

CD-HC2734L-NG-PB.VSD

DATE

25/01/2011