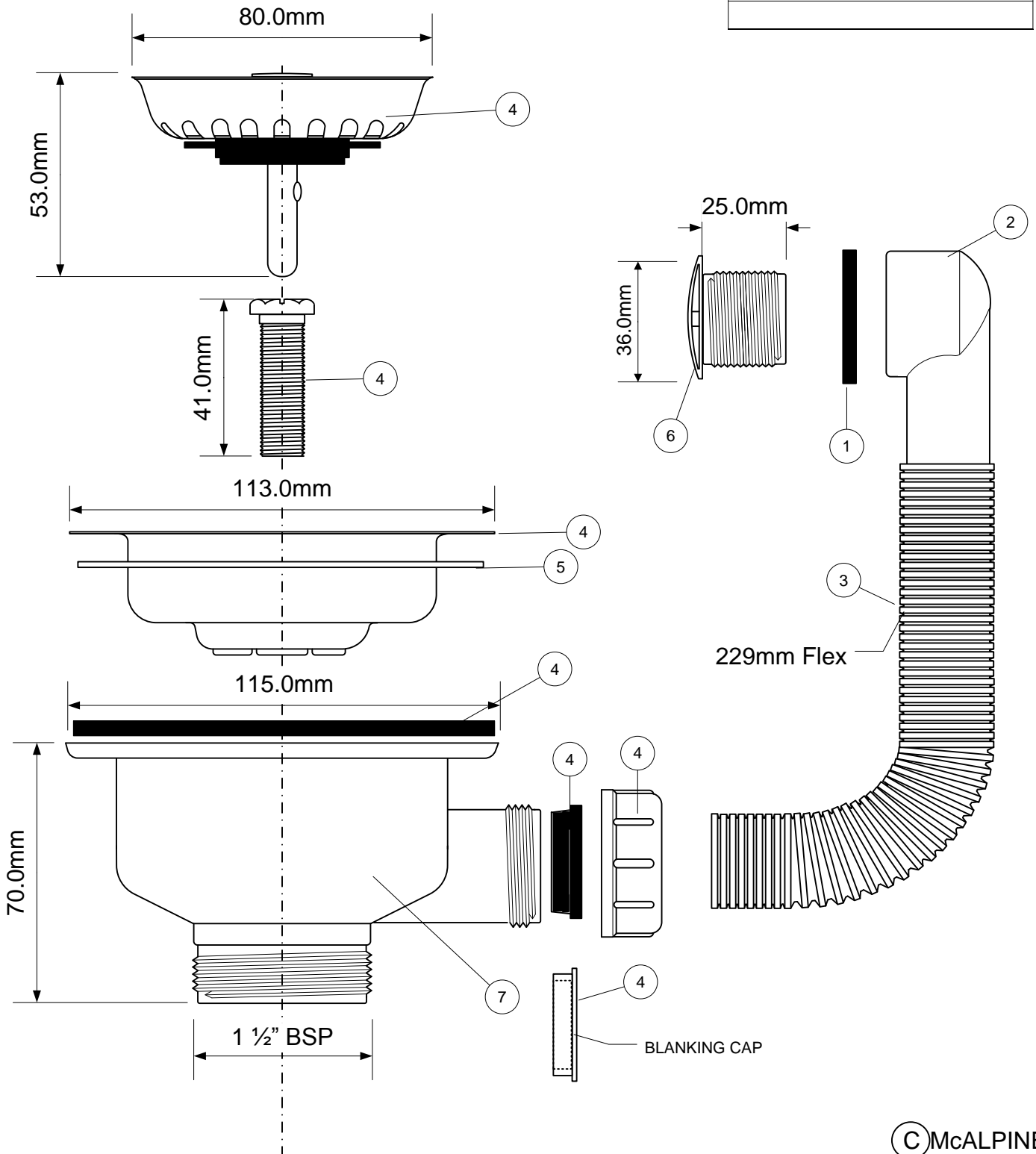


Code:

FSW50PPOL25

1	105805
2	305820
3	FLEX25-229-BL
4	P-FSW50
5	P-SPW-BSW-2MM
6	S/GRID-25PB-36



© McALPINE
14/02/2019

Drawing verified
correct as of:

DRAWN BY DL	REVISED	FILENAME FSW50PPOL25.VSD
	SCALE 1: 1.5	DATE 14/02/2019