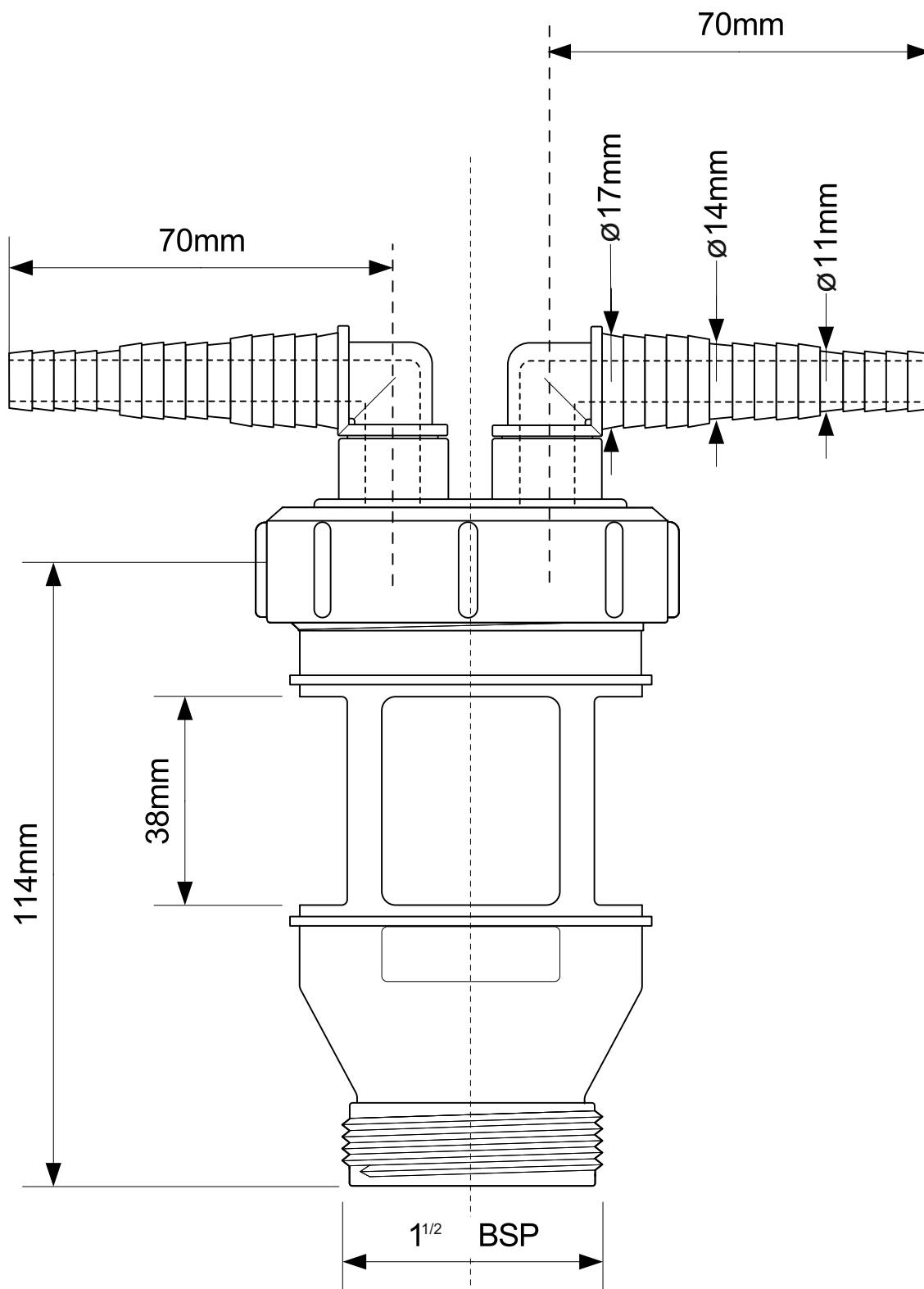


Code:

FUNNEL-D-2H



©McAlpine

Drawing verified correct as of:

DRAWN BY

REVISED

FILENAME

FUNNEL-D-2H

SCALE

DATE