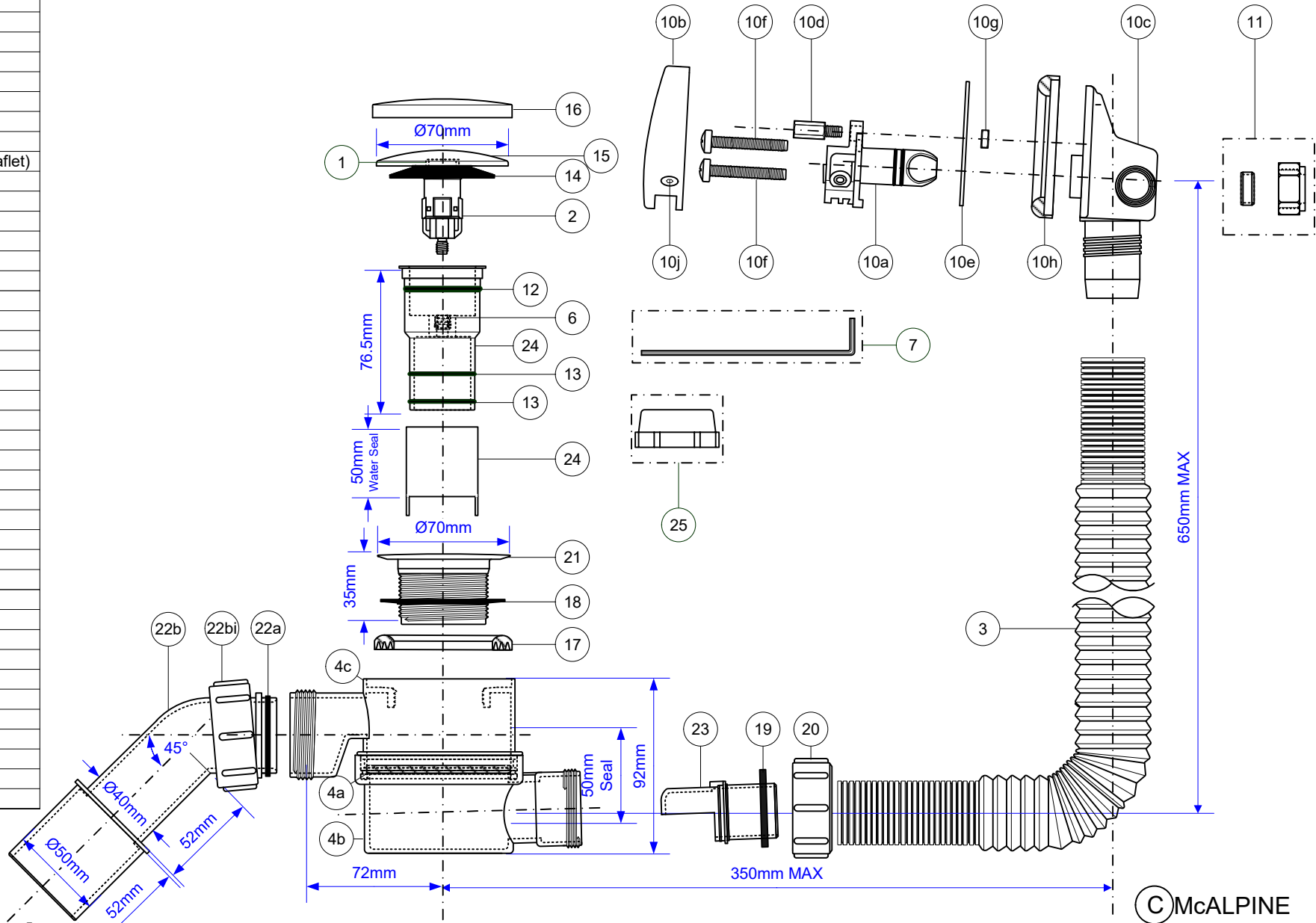


Code:

HCN2600CC-15MM

Part No.	Code
1	CLICKER-SPACER
2	CLICKERSWITCH-HB
3	FLEX34/40/34-1070
4	HC2600BODY-CLMP
a	RW-HC2600
b	STWHC2600BODY-BOT
c	STWHC2600BODY-TOP
5	L-HCN2600CC-15MM (Leaflet)
6	P-1/4UNC-INSERT
7	P-ALLENKEY
8	P-B-9.5X19 (Plastic Bag)
9	P-C-HC3000 (Carton)
10	P-CPB-BM-STD-OF
a	BW70-NOZB
b	BN70CKCOVER
c	P-CPB-CAB-MANIFOLD
d	BM70-CK-NOZBOLT
e	P-OFPLATE70X2H-CAB
f	PUW-M6X40SCREW
g	P-SS-6MMHEXNUT
h	P-RW-SEAL-70-55
j	HEXSOC-CSK-M4X16
11	P-CPB-NUT+OLIVE
12	P-OR-0.37.00-1.50
13	P-OR-HC26
14	P-RW-CLICKSEAL
15	P-SS-CHKC70
16	PROTCAP-70MM
17	RW-BDRSEAL
18	RW-HC31SEAL
19	S13-NITRILE
20	S8B
21	STW70CPB-NG
22	STWBEND-50-SUB
a	RW2
b	STWBEND-4050BODY
i	T8A
23	STWHC2650-O/F-ADAP
24	STWHC26TUBE
25	STWSPANNER



50mm Water Seal

© McALPINE
17/12/2013

Drawing verified correct as of:

31/01/2019
RM

DRAWN BY	RM
SCALE	1: 3

REVISED	17/03/2015, 28/04/2015, 26/01/2016, 19/02/2018, 31/01/2019
---------	---

FILENAME	HCN2600CC-15MM.VSD
DATE	31/01/2019