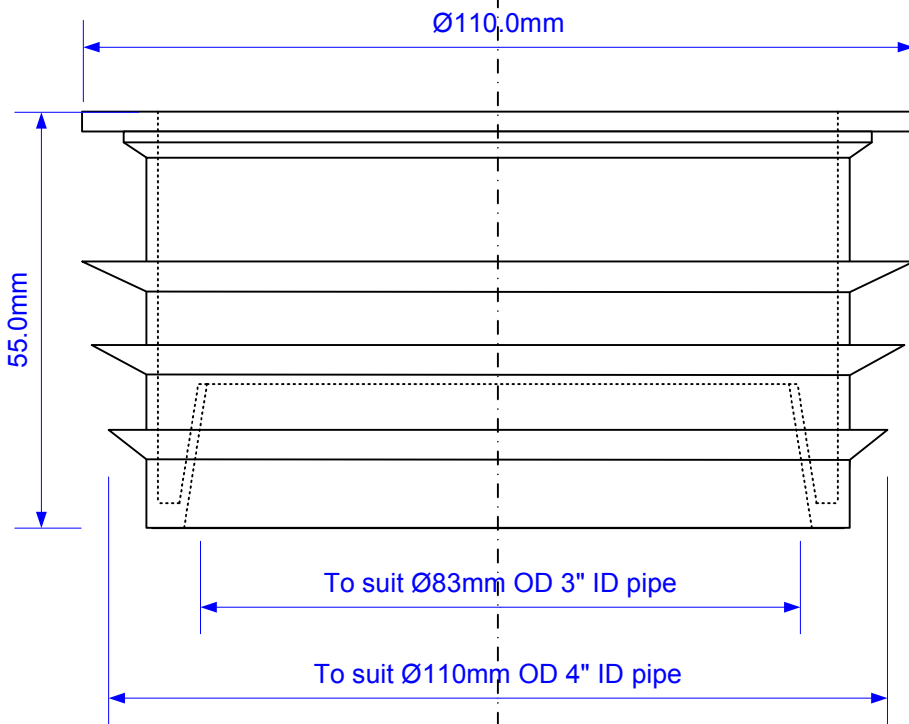
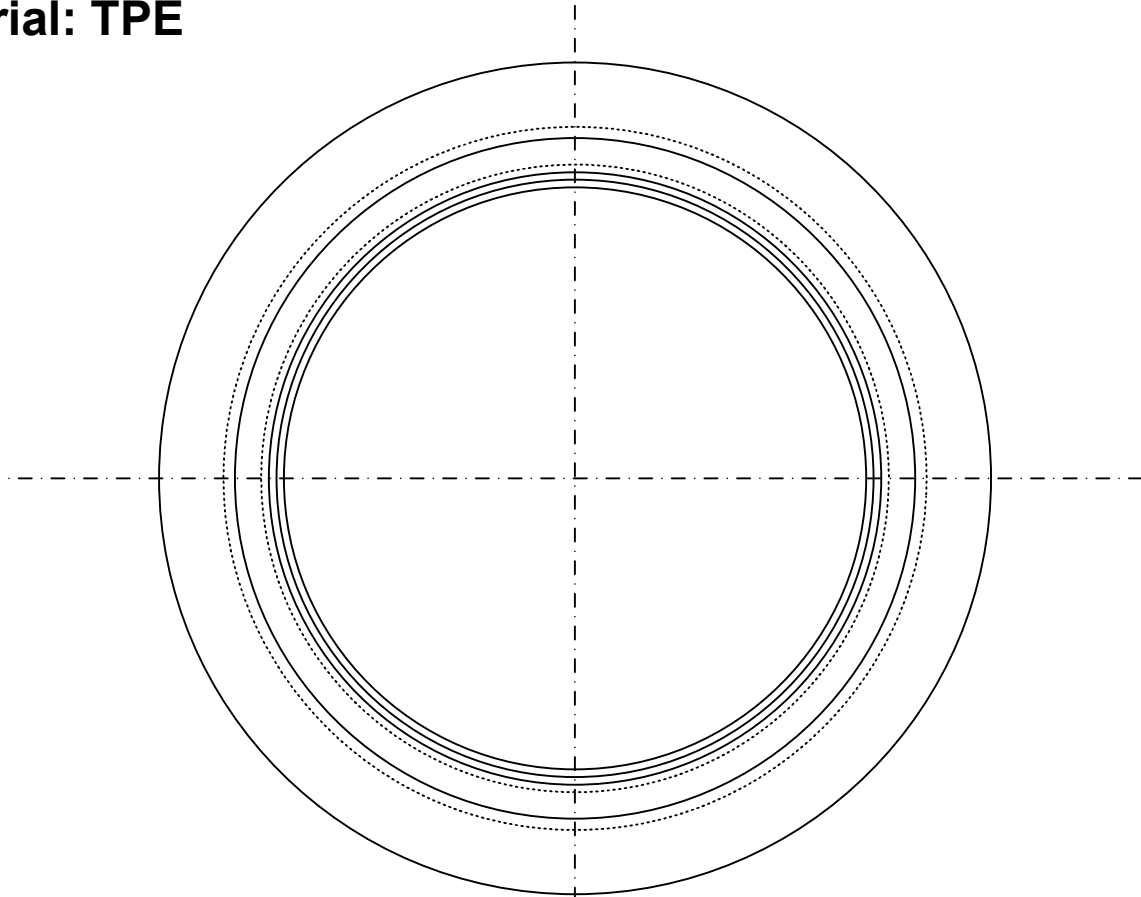


Code:

P-R-VP100

Art. 0888 800 737

Material: TPE



© McALPINE
04/04/2011

Drawing verified
correct as of:

04/04/2011
RM

DRAWN BY

RM

REVISED

04/04/2011

SCALE

1:1

FILENAME

P-R-VP100.VSD

DATE

04/04/2011